

McCULLOCH[®]

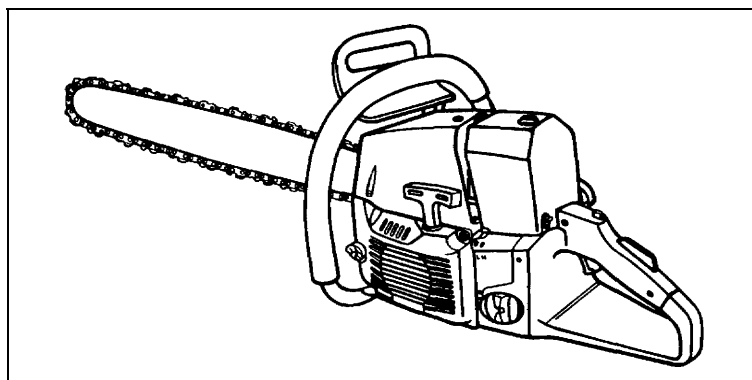
PARTNER

ILLUSTRATED PARTS LIST

PRO MAC 72 PARTNER **P720**

SERIAL NUMBER PREFIX 01

CC



March 2000

C	1	240056			82	218865	1
	2	227941			A 83	92878	1
	3	241196			84	94273	1
	4	227943			a5	235214 M6x20	4
	5	227349			C 86	FIGURE 2	
	6	227350			87	227057	2
	7	0227351			C 88	229502	1
	a	227352			C 89	241257	1
	9	0227353			90	229501	1
	10	240929			91	227275	1
	11	240690			92	235216	2
	12	227521			93	229563 M5x10	2
	13	0227523			c 94	227979	1
	14	0227524			c 95	227980	1
	15	0235367			96	240051 rellexgalt jauregab	1
	16	235811				241924 gold oroorggold	1
	17	229791			97	229712 M5x16	3
	18	235612			98	235248	3
C	19	227942			99	240052 rellexgalt jauregab	1
	20	235207 M5x14	2			241941 gold oroorg gold	1
	21	227626	2		100	241089	1
c	22	241169	2		101	229525	2
	23	229208	2		B102	227561	1
	24	227992	2		103	227458 M5x21	2
C	25	240059			104	247877	1
C	26	227441			105	227971	2
C	27	227442			106	227563 M5x16	2
	28	227443			107	235205	2
	29	227619 M4x16	2		108	241090	1
	30	227968			C 109	237575	1
B	31	227406			110	229380	1
A	32	241205			C 111	229377	1
C	33	236321			112	247894	1
	34	229524	2		113	229449	1
	35	227259			Cl 14	229452	1
C	36	227582			115	235221	2
	37	229208			116	236728	1
C	38	229981			117	241146 M6x20	1
	39	229524			118	241145 M6x45	1
	40	235802 M5x14	2		119	228956 M4x10	1
	41	235248	2		120	229560	1
	42	229561 M5x16	2		121	235530 M5x35	6
	43	236933 M6x18			122	229559	2
	44	236936			Cl 23	227975	1
	45	241147 M5x16			124	240060	1
C	46	241148			Cl 25	229453	1
c	47	241207			Cl 26	227631	1
C	48	241208			Cl 27	227461	1
B	49	227508			Cl 28	227464	1
C	50	0227420			Cl 29	227527	1
	51	227969			130	247895	1
	52	227983			131	229450	1
c	53	227994			Cl 32	0229451	1
c	54	240058			C 133	227370	2
c	55	240639			134	241146 M6x20	1
A	56	229608			135	235239 M5x20	2
C	57	240638			136	227626	2
	58	240884			Al 37	227997	1
B	59	241083	2		Al 38	227366	1
C	60	241157			139	241146 M6x20	1
B	61	241156			140	227990	1
	62	229712 M5x16			c 141	227530	1
	63	235248			Cl 42	227385	1
	64	227958			Cl 43	227383	1
	65	227762			Cl 44	235432	1
	66	227976			145	229861 M4x14	2
C	67	241214			146	227630	2
C	68	240062			Cl 47	227387	1
C	69	227005			148	227970	1
	70	235806 M5x20	2		149	227627	5
	71	235248	2		150	227611 M4x12	5
B	72	227507			Cl 51	240054	1
c	73	227459			B152	227547	1
	74	229399 M5x70	2		153	227389	1
	75	227965			154	227548	1
C	76	FIGURE3			Cl 55	227329	1
	77	229397			Cl 56	240055	1
	78	229396			157	241247	1
c	79	229017			Al 58	227762	2
	80	229395			159	227388	1
C	81	229718			160	235248	2

A = high moving alta rotazione haute demande große Nachfrage
B = medium moving media rotazione moyenne demande mittelmäßige Nachfrage
C = slow moving bassa rotazione basse demande - wenige Nachfrage

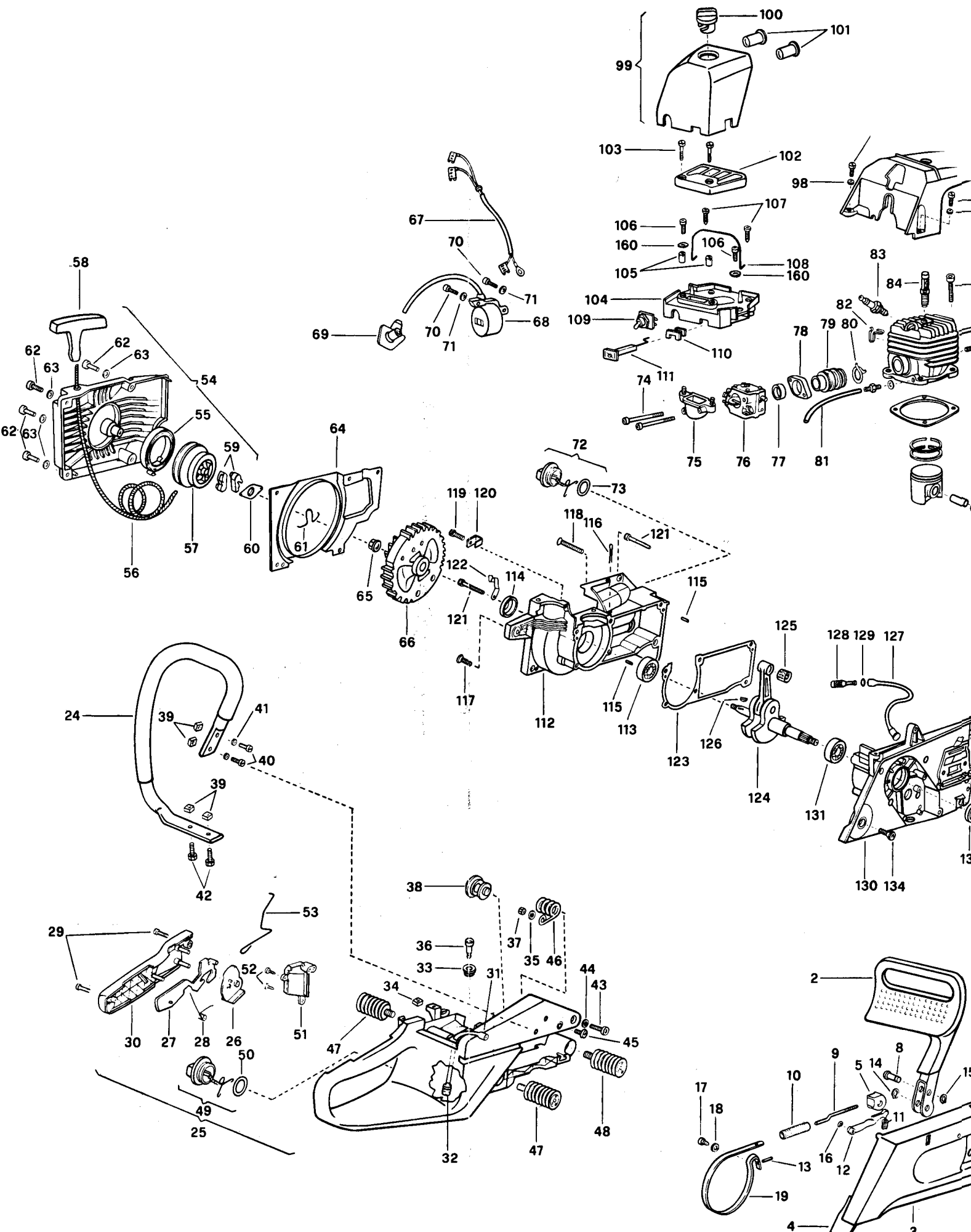
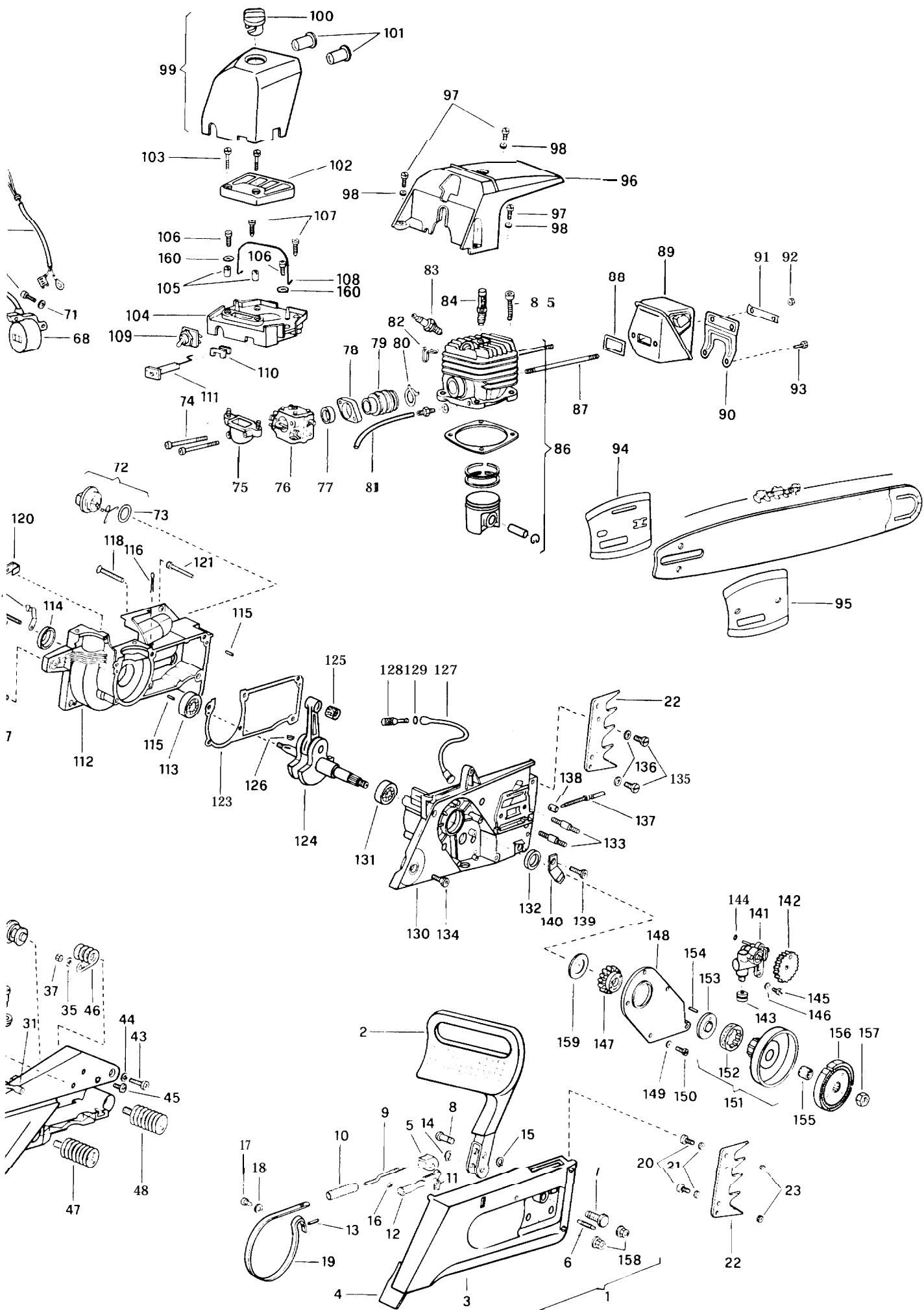
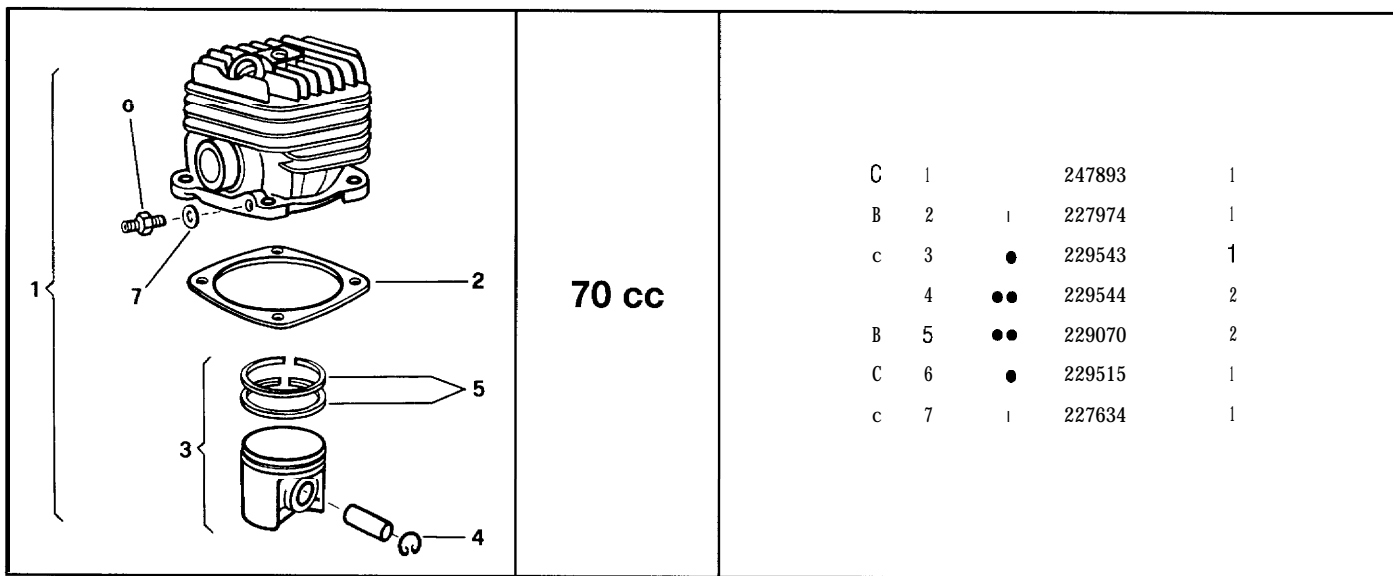


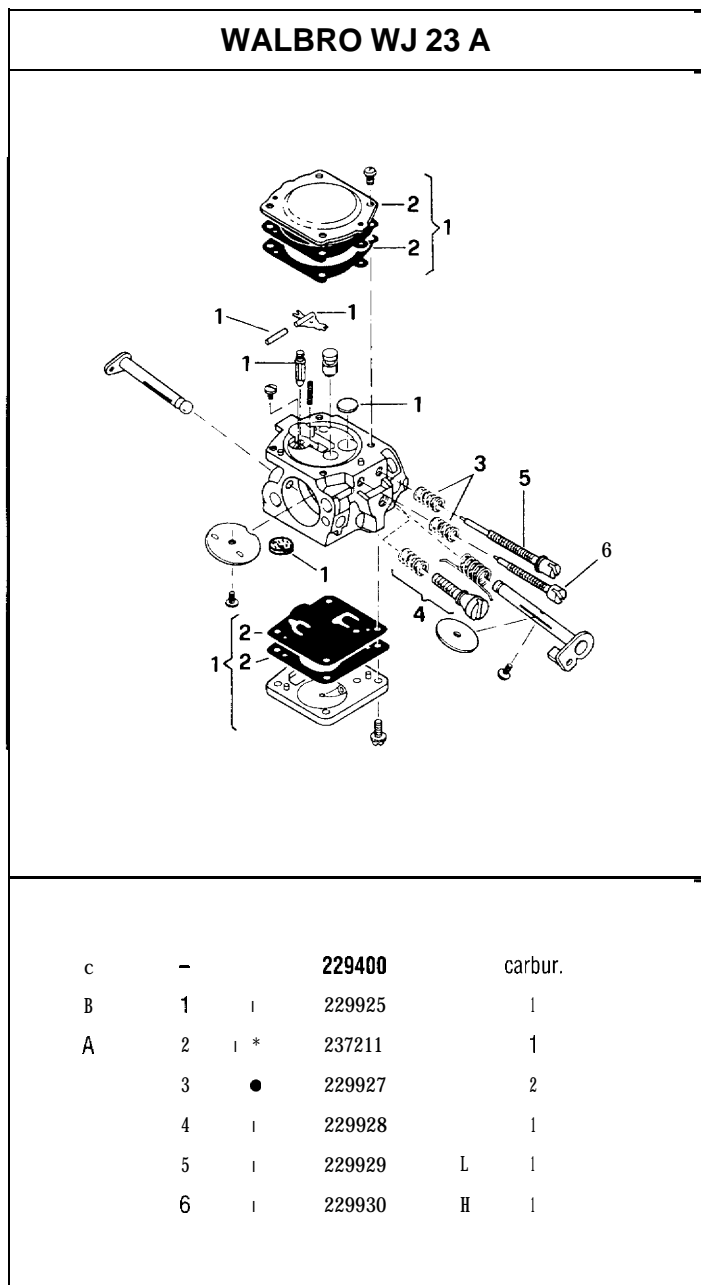
FIGURE 1





C	1		247893	1
B	2		227974	1
c	3	●	229543	1
	4	●●	229544	2
B	5	●●	229070	2
C	6	●	229515	1
c	7		227634	1

FIGURE 2



c	-		229400	carbur.
B	1		229925	1
A	2	*	237211	1
	3	●	229927	2
	4		229928	1
	5		229929	L 1
	6		229930	H 1

FIGURE 3

A = high moving - alta rotazione - haute demande - große Nachfrage
 B = medium moving - media rotazione - moyenne demande - mittelmäßige Nachfrage
 C = slow moving - bassa rotazione - basse demande - wenige Nachfrage